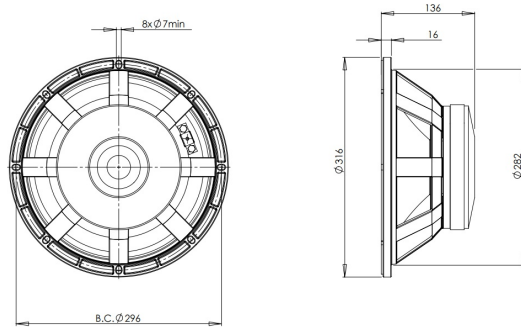


12PLB76

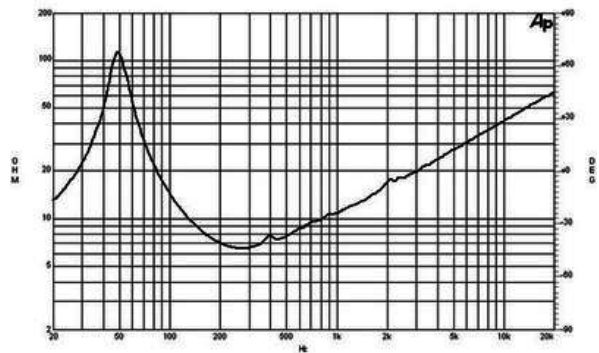
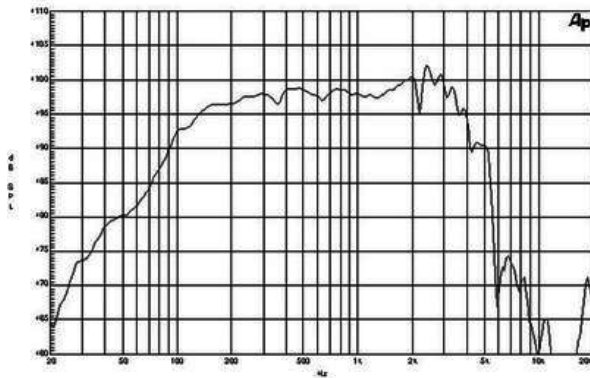
8Ω**LF Drivers - 12.0 Inches**

- 700 W continuous program power capacity
- 76 mm (3 in) aluminium voice coil
- 50 - 2000 Hz response
- 98.5 dB sensitivity



12PLB76

LF Drivers- 12.0 Inches



SPECIFICATIONS

| | |
|--|-------------------|
| Nominal Diameter | 320 mm (12.0 in) |
| Nominal Impedance | 8 Ω |
| Minimum Impedance | 6.4 Ω |
| Nominal Power Handling ¹ | 350 W |
| Continuous Power Handling ² | 700 W |
| Sensitivity ³ | 99.0 dB |
| Frequency Range | 50 - 2000 Hz |
| Voice Coil Diameter | 76 mm (3.0 in) |
| Winding Material | Aluminium |
| Former Material | Glass Fibre |
| Winding Depth | 16.0 mm (0.62 in) |
| Magnetic Gap Depth | 11.0 mm (0.4 in) |
| Flux Density | 1.05 T |

DESIGN

| | |
|-----------------------|--|
| Surround Shape | Double Roll |
| Cone Shape | Exponential |
| Magnet Material | Ferrite |
| Spider | Single |
| Pole Design | T-Pole |
| Woofer Cone Treatment | None |
| Recommended Enclosure | 42.0 dm ³ (1.48 ft ³) |
| Recommended Tuning | 65 Hz |

PARAMETERS⁴

| | |
|---------------------|---|
| Resonance Frequency | 50 Hz |
| Re | 5.0 Ω |
| Qes | 0.24 |
| Qms | 5.3 |
| Qts | 0.23 |
| Vas | 75.0 dm ³ (2.6 ft ³) |
| Sd | 522.0 cm ² (80.9 in ²) |
| η _o | 3.8 % |
| X _{max} | 5.0 mm |
| X _{var} | 7.0 mm |
| M _{ms} | 51.0 g |
| Bl | 18.6 Txm |
| Le | 1.2 mH |
| EBP | 208 Hz |

MOUNTING AND SHIPPING INFO

| | |
|-------------------------------|---|
| Overall Diameter | 316 mm (12.4 in) |
| Bolt Circle Diameter | 296 mm (11.6 in) |
| Baffle Cutout Diameter | 282.0 mm (11.1 in) |
| Depth | 136 mm (5.35 in) |
| Flange and Gasket Thickness | 16 mm (0.62 in) |
| Air Volume Occupied by Driver | 3.3 dm ³ (0.12 ft ³) |
| Net Weight | 7.4 kg (16.4 lb) |
| Shipping Units | 1 |
| Shipping Weight | 8.3 kg (18.3 lb) |
| Shipping Box | 360x360x200 mm (14.17x14.17x7.87 in) |

SERVICE KIT

RCK12PLB768

- 2 hours test made with continuous pink noise signal (6 dB crest factor) within the range Fs-10Fs. Power calculated on rated minimum impedance. Loudspeaker in free air.
- Power on Continuous Program is defined as 3 dB greater than the Nominal rating.
- Applied RMS Voltage is set to 2.83 V for 8 ohms Nominal Impedance.
- Thiele-Small parameters are measured after a high level 20 Hz sine wave preconditioning test.