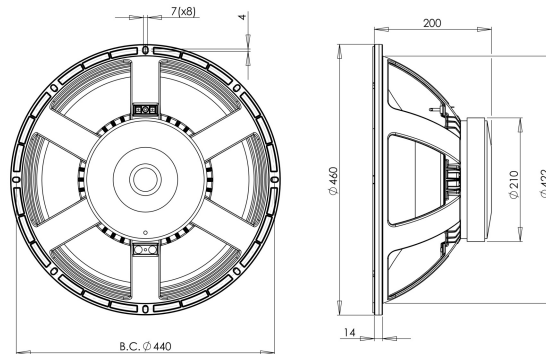


# 18RBX100

**8Ω****LF Drivers - 18.0 Inches**

- 2000 W continuous program power capacity
- 100 mm (4 in) copper voice coil
- 35 - 1000 Hz response
- 97 dB sensitivity
- Aluminium demodulating ring allows a very low distortion figure
- Double silicone spider with optimized compliance



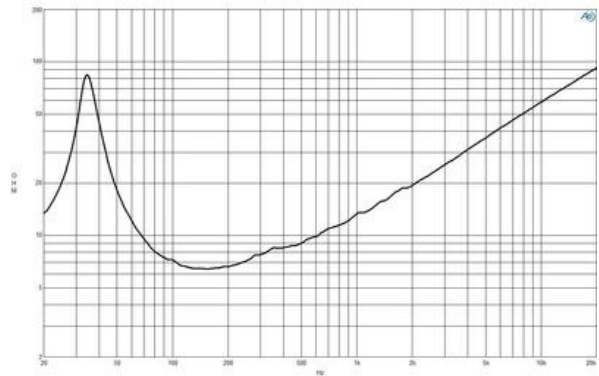
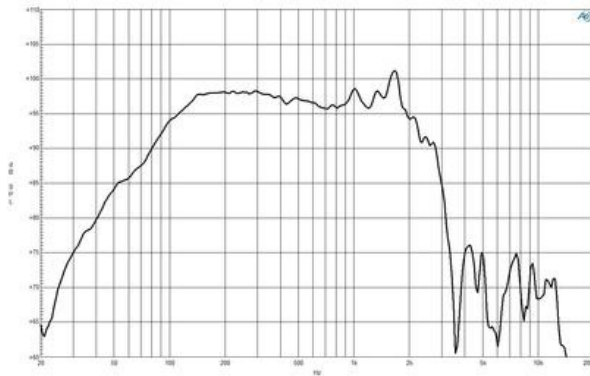
## DESCRIPTION

The new B&C 18RBX100 anchors our ferrite subwoofer line, and features an all new FEA optimized motor structure. The 25mm high, 4" (100mm) diameter copper wire voice coil is combined with a laminated double silicone spider, water resistant curvilinear cone and triple roll surround, for even more excursion and linearity.

The corrosion resistant motor structure incorporates an aluminum demodulation ring that effectively controls inductive rise as well as harmonic and intermodulation distortion. This subwoofer can be used for a wide variety of applications, including compact vented enclosures as small as 120 litres.

# 18RBX100

## LF Drivers- 18.0 Inches



### SPECIFICATIONS

Nominal Diameter	460 mm (18.0 in)
Nominal Impedance	8 $\Omega$
Minimum Impedance	6.2 $\Omega$
Nominal Power Handling <sup>1</sup>	1000 W
Continuous Power Handling <sup>2</sup>	2000 W
Sensitivity <sup>3</sup>	97.0 dB
Frequency Range	40 - 1000 Hz
Voice Coil Diameter	100 mm (4.0 in)
Winding Material	Copper
Former Material	Glass Fibre
Winding Depth	25.0 mm (1.0 in)
Magnetic Gap Depth	11.0 mm (0.43 in)
Flux Density	1.1 T

### DESIGN

Surround Shape	Triple Roll
Cone Shape	Curvilinear
Magnet Material	Ferrite
Spider	Double Silicone
Pole Design	T-Pole
Woofer Cone Treatment	TWP Waterproof Both Sides
Recommended Enclosure	140.0 dm <sup>3</sup> (4.94 ft <sup>3</sup> )
Recommended Tuning	40 Hz

### PARAMETERS<sup>4</sup>

Resonance Frequency	40 Hz
Re	5.1 $\Omega$
Qes	0.36
Qms	7.3
Qts	0.34
Vas	220.0 dm <sup>3</sup> (7.77 ft <sup>3</sup> )
Sd	1225.0 cm <sup>2</sup> (189.88 in <sup>2</sup> )
$\eta_0$	2.2 %
Xmax	10.0 mm
Xvar	13.0 mm
Mms	199.0 g
Bl	25.1 Txm
Le	1.5 mH
EBP	111 Hz

### MOUNTING AND SHIPPING INFO

Overall Diameter	460 mm (18.11 in)
Bolt Circle Diameter	440 mm (17.32 in)
Baffle Cutout Diameter	422.0 mm (16.61 in)
Depth	200 mm (7.87 in)
Flange and Gasket Thickness	14 mm (0.55 in)
Air Volume Occupied by Driver	10.5 dm <sup>3</sup> (0.37 ft <sup>3</sup> )
Net Weight	12.3 kg (27.12 lb)
Shipping Units	1
Shipping Weight	13.9 kg (30.64 lb)
Shipping Box	500x495x275 mm (19.69x19.49x10.83 in)

### SERVICE KIT

RCK18RBX1008

- 2 hours test made with continuous pink noise signal (6 dB crest factor) within the range Fs-10Fs. Power calculated on rated minimum impedance. Loudspeaker in free air.
- Power on Continuous Program is defined as 3 dB greater than the Nominal rating.
- Applied RMS Voltage is set to 2.83 V for 8 ohms Nominal Impedance.
- Thiele-Small parameters are measured after a high level 20 Hz sine wave preconditioning test.