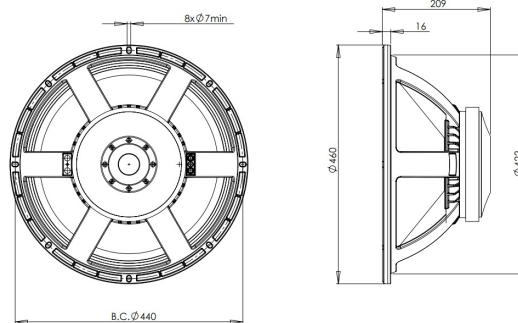


18TBX100

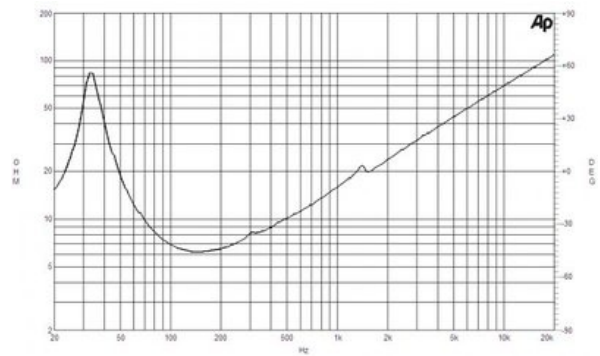
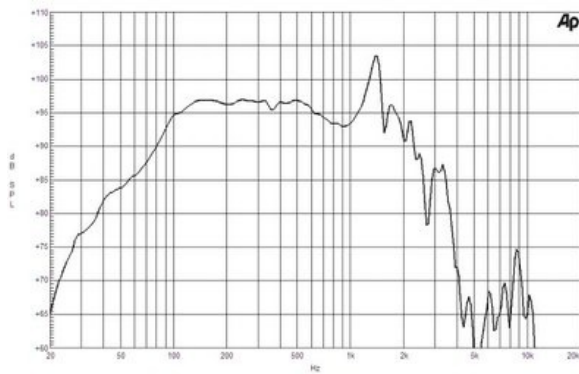
8Ω**LF Drivers - 18.0 Inches**

- 2400 W continuous program power capacity
- 100 mm (4 in) copper voice coil
- 35 - 1000 Hz response
- 97 dB sensitivity
- Aluminium demodulating ring allows a very low distortion figure
- Double silicone spider with optimized compliance
- Ventilated voice coil gap for reduced power compression



18TBX100

LF Drivers- 18.0 Inches



SPECIFICATIONS

| | |
|--|------------------|
| Nominal Diameter | 460 mm (18.0 in) |
| Nominal Impedance | 8 Ω |
| Minimum Impedance | 6.2 Ω |
| Nominal Power Handling ¹ | 1200 W |
| Continuous Power Handling ² | 2400 W |
| Sensitivity ³ | 97.0 dB |
| Frequency Range | 35 - 1000 Hz |
| Voice Coil Diameter | 100 mm (4.0 in) |
| Winding Material | Copper |
| Former Material | Glass Fibre |
| Winding Depth | 25.0 mm (1.0 in) |
| Magnetic Gap Depth | 12.0 mm (0.5 in) |
| Flux Density | 1.1 T |

DESIGN

| | |
|-----------------------|---|
| Surround Shape | Triple Roll |
| Cone Shape | Radial |
| Magnet Material | Ferrite |
| Spider | Double Silicone |
| Pole Design | T-Pole |
| Woofer Cone Treatment | TWP Waterproof Both Sides |
| Recommended Enclosure | 200.0 dm ³ (7.06 ft ³) |
| Recommended Tuning | 34 Hz |

PARAMETERS⁴

| | |
|---------------------|---|
| Resonance Frequency | 34 Hz |
| Re | 5.1 Ω |
| Qes | 0.37 |
| Qms | 7.2 |
| Qts | 0.35 |
| Vas | 212.0 dm ³ (7.5 ft ³) |
| Sd | 1210.0 cm ² (187.6 in ²) |
| η _o | 2.2 % |
| Xmax | 9.0 mm |
| Xvar | 11.0 mm |
| Mms | 209.0 g |
| Bl | 25.5 Txm |
| Le | 1.6 mH |
| EBP | 91 Hz |

MOUNTING AND SHIPPING INFO

| | |
|-------------------------------|--|
| Overall Diameter | 460 mm (18.0 in) |
| Bolt Circle Diameter | 440 mm (17.3 in) |
| Baffle Cutout Diameter | 422.0 mm (16.6 in) |
| Depth | 209 mm (8.2 in) |
| Flange and Gasket Thickness | 16 mm (0.62 in) |
| Air Volume Occupied by Driver | 10.5 dm ³ (0.37 ft ³) |
| Net Weight | 13.0 kg (28.6 lb) |
| Shipping Units | 1 |
| Shipping Weight | 14.6 kg (32.19 lb) |
| Shipping Box | 500x495x275 mm (19.69x19.49x10.83 in) |

SERVICE KIT

RCK18TBX1008

- 2 hours test made with continuous pink noise signal (6 dB crest factor) within the range Fs-10Fs. Power calculated on rated minimum impedance. Loudspeaker in free air.
- Power on Continuous Program is defined as 3 dB greater than the Nominal rating.
- Applied RMS Voltage is set to 2.83 V for 8 ohms Nominal Impedance.
- Thiele-Small parameters are measured after a high level 20 Hz sine wave preconditioning test.