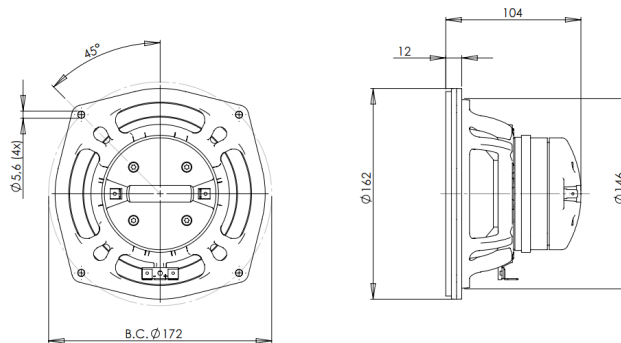


6HCX51

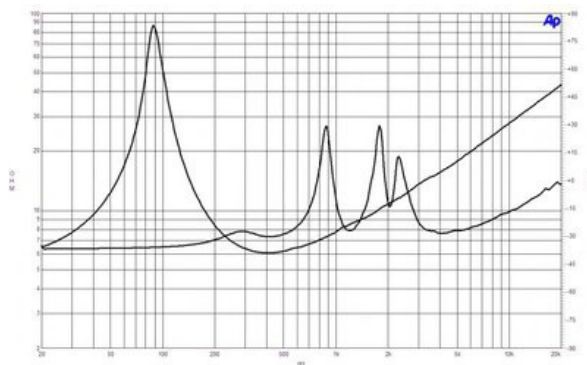
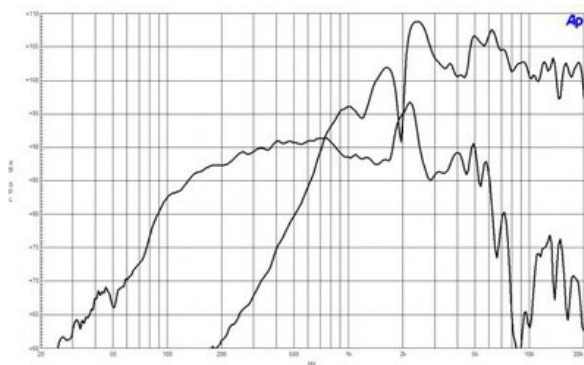
8Ω**Coaxials - 6.5 Inches**

- 300 W continuous program power capacity
- 70° nominal coverage
- 90 - 18000 Hz response
- 92 dB sensitivity
- Single Neodymium magnet assembly
- 20.1 mm (0.79") HF unit exit diameter



6HCX51

Coaxials- 6.5 Inches



SPECIFICATIONS

Nominal Diameter	170 mm (6.5 in)
Nominal Impedance	8 Ω
Minimum Impedance LF	6.0 Ω
Minimum Impedance HF	7.5 Ω
Frequency Range	90 - 18000 Hz
Dispersion Angle ¹	70 °
Magnet Material	Neodymium Ring

PARAMETERS

Resonance Frequency	89 Hz
Re	5.2 Ω
Qes	0.4
Qms	7.5
Qts	0.38
Vas	5.0 dm ³ (0.18 ft ³)
Sd	132.0 cm ² (20.5 in ²)
η _o	0.8 %
X _{max}	5.0 mm
X _{var}	5.5 mm
M _{ms}	16.0 g
Bl	10.9 Txm
Le	0.8 mH
EBP	222 Hz

SPECIFICATIONS LF UNIT

LF Sensitivity ²	92.0 dB
LF Nominal Power Handling ³	150 W
LF Continuous Power Handling ⁴	300 W
LF Voice Coil Diameter	51 mm (2.0 in)
LF Winding Material	Copper
LF Flux Density	1.1 T
Former Material	Kapton
Winding Depth	13.0 mm (0.51 in)
Magnetic Gap Depth	6.0 mm (0.24 in)

MOUNTING AND SHIPPING INFO

Overall Diameter	187 mm (7.4 in)
Bolt Circle Diameter	172 mm (6.7 in)
Baffle Cutout Diameter	146 mm (5.75 in)
Depth	104 mm (4.1 in)
Flange and Gasket Thickness	11 mm (0.4 in)
Net Weight	1.55 kg (3.4 lb)
Shipping Units	1
Shipping Weight	2.0 kg (4.41 lb)
Shipping Box	255x255x150 mm (10.04x10.04x5.91 in)

SPECIFICATIONS HF UNIT

HF Sensitivity ⁵	105.0 dB
HF Nominal Power Handling ⁶	25 W
HF Continuous Power Handling ⁷	50 W
HF Voice Coil Diameter	36 mm (1.4 in)
HF Winding Material	Aluminium
HF Flux Density	1.8 T
Diaphragm Material	Polyester
Recommended Crossover ⁸	2.2 kHz
Inductance	0.06 mH

SERVICE KIT

Service Kit LF	RCK06HCX518
Replacement diaphragm	MMD0128

- Included by -6 dB down points.
- Applied RMS Voltage is set to 2.83V.
- 2 hours test made with continuous pink noise signal (6 dB crest factor) within the range Fs-10Fs. Power calculated on rated minimum impedance. Loudspeaker in free air.
- Power on Continuous Program is defined as 3 dB greater than the Nominal rating.
- Applied RMS Voltage is set to 2.83V.
- 2 hour test made with continuous pink noise signal (6 dB crest factor) within the range from the recommended crossover frequency to 20 kHz. Power calculated on rated minimum impedance. Loudspeaker in free air.
- Power on Continuous Program is defined as 3 dB greater than the Nominal rating.
- 12 dB/oct. or higher slope high-pass filter.

B&C Speakers s.p.a.

Via Poggiomoro, 1 - Loc. Vallina, 50012 Bagno a Ripoli (FI) - ITALY - Tel. +39 055 65721 - Fax +39 055 6572312 - mail@bcspeakers.com