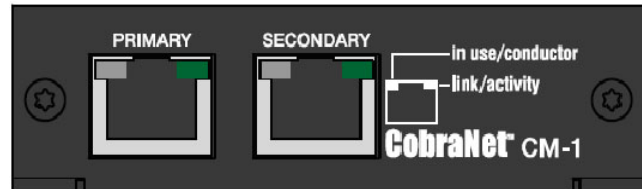




Key Features:

- **100BASE-TX Ethernet Interface – 100Mbit/s full-duplex Ethernet Interface; IEEE 802.3u compatible.**
- **Secondary 100BASE-TX Ethernet Interface – Second Ethernet Interface for the connection of a redundant network to establish fault-tolerant systems.**
- **Four serial output ports – Internal audio output interface for the transmission of 32 digital audio channels with 48 / 96 kHz sample rate and 16, 20 or 24-bit word length.**
- **Four serial input ports – Internal audio input interface for receiving 32 digital audio channels with 48 / 96 kHz sample rate and 16, 20 or 24-bit word length.**
- **SNMP and TFTP support – Control, monitoring, configuration and firmware updates via Ethernet protocol.**
- **Status LEDs – Link, Activity, Fault and CobraNet™ Conductor status indication via Ethernet connectors.**



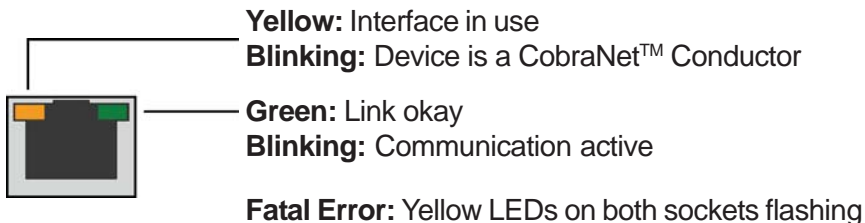
General Description:

CobraNet™ is a network technology for multi-channel transmission of digital audio data. The CM-1 is a compact interface module for connection to a CobraNet™ network allowing the simultaneous transmission of up to 32 digital audio input signals and 32 digital audio output signals.

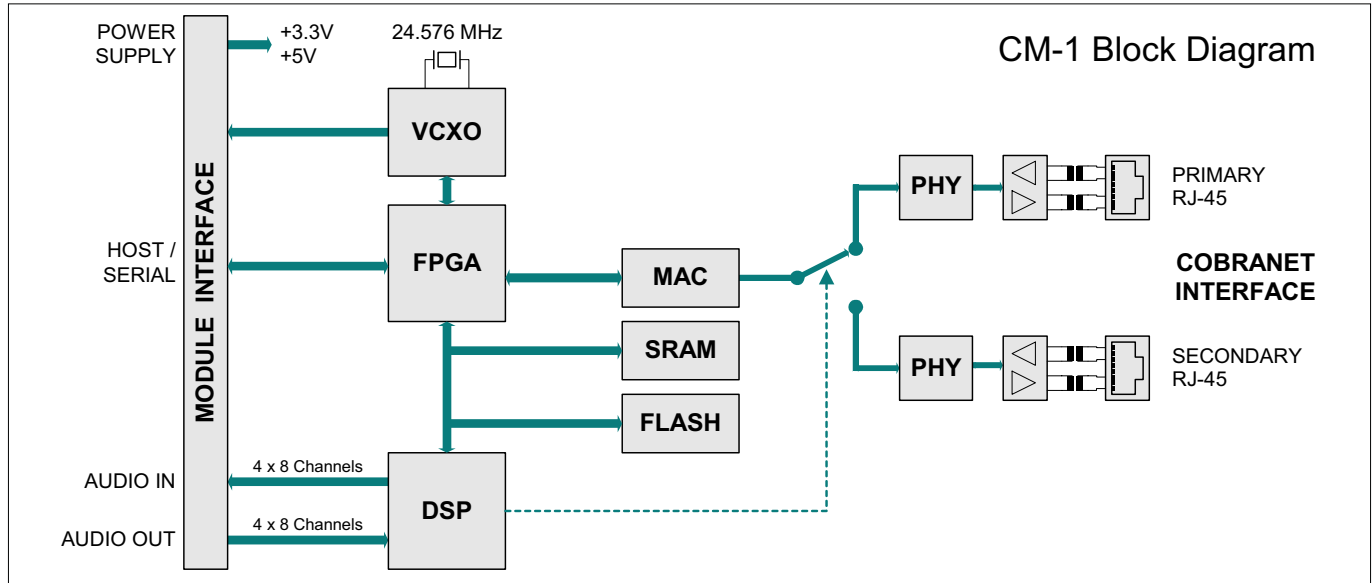
Technical Specifications:

Supply Voltage / Current	3.3 V DC, ±0.3 V / 1.2 A 5 V DC, ±0.25 V / 0.1 A
Ethernet Connectors (Primary / Secondary)	RJ-45, integrated transformer isolation, IEEE 802.3u Standard
Sample Rate	48 kHz
Data Format	16 / 20 / 24 Bit
Operating Temperature Range	0 °C ... 40 °C
Dimensions (W x H x D)	89mm x 27mm x 92mm 3.50" x 1.06" x 3.62"
Weight	75 g (0.17 lb)

Status LEDs:

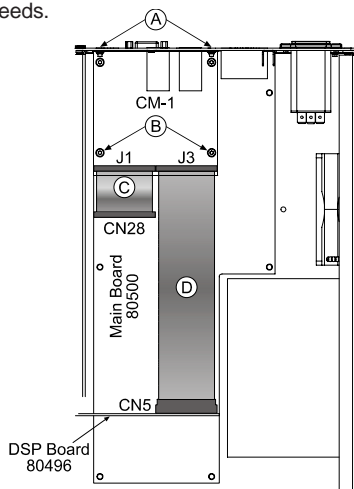


Block Diagram:

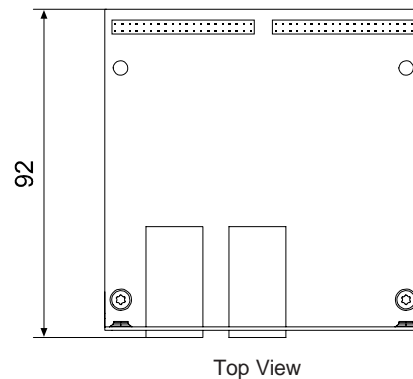
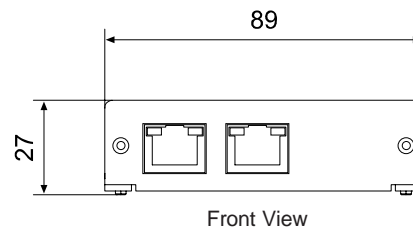


Installation:

1. Turn off power of the unit and pull mains plug
2. Remove cover plate (6 screws on the sides, 3 screws on top, 4 screws on the rear)
3. Remove the blind on the rear panel (2 screws)
4. Install the CM-1 module (see picture); first, secure it with 2 screws on the rear panel (A), then with 2 screws on the bolt (B), tighten the screws
5. Make the following cable connections:
 - J1 on CM-1 module with CN28 on main board 80500 (65mm flat wire cable) (C)
 - J3 on CM-1 module with CN5 on DSP-Board 80496 (190mm flat wire cable) (D)
6. Reinstall the cover plate
7. Plug in the mains cord and turn the unit's power on.
8. Configure CM-1 module parameter in the user-interface according to application needs.



Dimension Drawings:



All Dimensions in Millimeters

CM-1 Part Number:
CM-1 -- D170327

EV Electro-Voice®

12000 Portland Avenue South, Burnsville, MN 55337
Phone: 952/884-4051, Fax: 952/884-0043

www.electrovoice.com

© Telex Communications, Inc. 1/2006
Part Number LIT-0000XX Rev 1

U.S.A. and Canada only. For customer orders, contact Customer Service at:

800/392-3497 Fax: 800/955-6831

Europe, Africa, and Middle East only. For customer orders, contact Customer Service at:

+ 49 9421-706 0 Fax: + 49 9421-706 265

Other International locations. For customer orders, contact Customer Service at:

+ 1 952 884-4051 Fax: + 1 952 736-4212

For warranty repair or service information, contact the Service Repair department at:

800/685-2606

For technical assistance, contact Technical Support at: 866/78AUDIO

Specifications subject to change without notice.