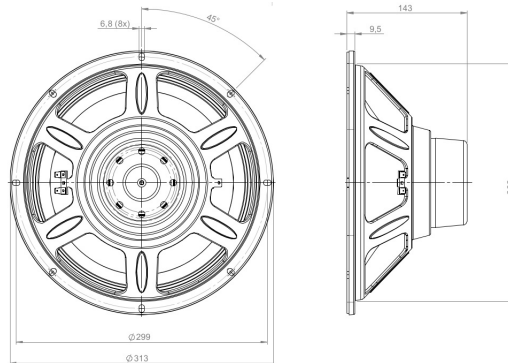


# 12CLA76

**8Ω****LF Drivers - 12.0 Inches**

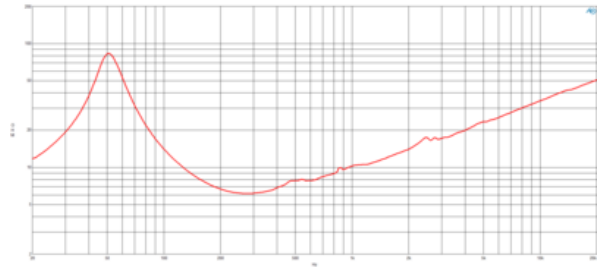
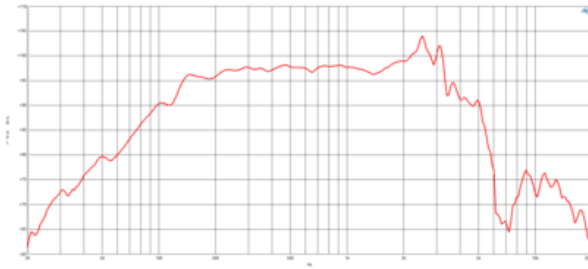
- 700 W continuous program power capacity
- 76 mm (3 in) copper clad aluminum voice coil
- 50 - 3000 Hz response
- 98.5 dB sensitivity
- Ventilated voice coil gap for reduced power compression



Careful optimization of our lightest woofer series, now offered with a high temperature copper-clad aluminum voice coil, is rewarded with higher sensitivity and smoother high frequency response. An efficiently designed motor makes these a good fit for many more applications, especially where flown, and manufacturing design means the CLA series can be price competitive with ferrite motor designs offering similar performance.

# 12CLA76

## LF Drivers- 12.0 Inches



### SPECIFICATIONS

Nominal Diameter	320 mm (12.0 in)
Nominal Impedance	8 Ω
Minimum Impedance	6.1 Ω
Nominal Power Handling <sup>1</sup>	350 W
Continuous Power Handling <sup>2</sup>	700 W
Sensitivity <sup>3</sup>	98.5 dB
Frequency Range	50 - 3000 Hz
Voice Coil Diameter	76 mm (3.0 in)
Winding Material	CCA W
Former Material	Glass Fibre
Winding Depth	16.0 mm (0.63 in)
Magnetic Gap Depth	11.0 mm (0.43 in)
Flux Density	1.2 T

### DESIGN

Surround Shape	Triple Roll
Cone Shape	Exponential
Magnet Material	Neodymium Inside Slug
Spider	Single
Pole Design	Straight Pole
Woofer Cone Treatment	WP Waterproof Front Side
Recommended Enclosure	40.0 dm <sup>3</sup> (1.41 ft <sup>3</sup> )
Recommended Tuning	60 Hz

### PARAMETERS<sup>4</sup>

Resonance Frequency	52 Hz
Re	5.1 Ω
Qes	0.26
Qms	4.9
Qts	0.25
Vas	56.0 dm <sup>3</sup> (1.98 ft <sup>3</sup> )
Sd	522.0 cm <sup>2</sup> (80.91 in <sup>2</sup> )
η <sub>o</sub>	2.9 %
Xmax	5.3 mm
Xvar	6.5 mm
Mms	64.0 g
Bl	20.2 Txm
Le	0.44 mH
EBP	200 Hz

### MOUNTING AND SHIPPING INFO

Overall Diameter	313 mm (12.32 in)
Bolt Circle Diameter	299 mm (11.77 in)
Baffle Cutout Diameter	283.0 mm (11.14 in)
Depth	143 mm (5.63 in)
Flange and Gasket Thickness	9 mm (0.37 in)
Air Volume Occupied by Driver	2.3 dm <sup>3</sup> (0.08 ft <sup>3</sup> )
Net Weight	3.4 kg (7.5 lb)
Shipping Units	1
Shipping Weight	4.3 kg (9.48 lb)
Shipping Box	360x360x200 mm (14.17x14.17x7.87 in)

### SERVICE KIT

RCK12CLA768

1. 2 hours test made with continuous pink noise signal within the range Fs-10Fs. Power calculated on rated nominal impedance. Loudspeaker in free air.
2. Power on Continuous Program is defined as 3 dB greater than the Nominal rating.
3. Applied RMS Voltage is set to 2.83 V for 8 ohms Nominal Impedance.
4. Thiele-Small parameters are measured after a high level 20 Hz sine wave preconditioning test.