

General Product Description

Rx-112/75

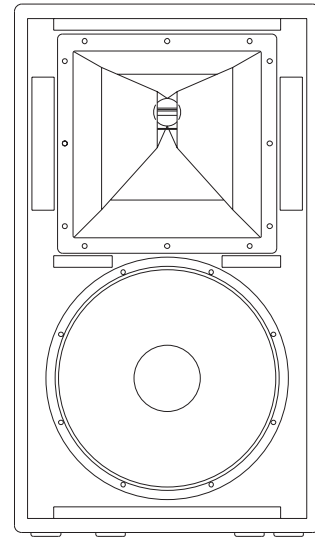
The Rx-112/75 is a two-way, full-range loudspeaker system that incorporates a 12-inch woofer and a 3-inch voice coil compression driver on an asymmetrical 75-degree x 50-degree fully rotatable constant-directivity horn. In factory-delivered position, the horn provides a 15-degree up/35-degree down vertical coverage pattern. The five-sided cabinet design allows this main PA system cabinet to easily conform to duties as a floor monitor or to be ticked tightly against a ceiling for low-profile applications. The fully rotatable horn means that regardless of cabinet position, pattern control is fully user-determined.

The Rx-112/75 is a good solution for small-to-medium size rooms as a main PA, providing optimized midrange reproduction for speech intelligibility and vocal clarity at moderate levels. As a floor monitor, the tight and clear midrange coupled to a large format HF diaphragm helps cut through stage rumble while delivering smooth reproduction. The asymmetrical horn can allow a single box to more adequately direct the high frequencies as needed, as well as streamline multi-cabinet arrays by extending horizontal coverage while minimizing overlapping and allowing tighter packs between the cabinets. The M-112 processing module for modular P-series amplifiers provides optimized processing for fullrange use, or in combination with any of Rx-series subwoofers.

Rx-112/75 Loudspeaker System



R x
S P E A K E R
S Y S T E M S



Speaker Description

LF Section & Components	12-inch woofer in vented enclosure
HF Section & Components	DH7 HF compression driver with 3-inch titanium diaphragm on an asymmetric 75 x 50 horn
System Configuration	Two-way, full-range
Powering Configuration	Switchable passive or biamp
Recommended High-Pass Frequency (12 dB/octave min.)	45 Hz
Cabinet Type (shape)	Modified trapezoid
Enclosure Materials	13-ply birch plywood
Finish	Black textured paint
Connectors	Two Neutrik NL4
Suspension (optional)	prepared for Rx rigging kit
Grille	Powder-coated perforated steel
Accessories	Rx-Rigging kit (2 L-tracks, 1 single stud plate incl. studs) M-112 processing module for P 1201, P 1202 system amplifier

Rx-112/75

Speaker System

Speaker Characteristics

Frequency Response

-10dB	60 Hz-18 kHz
-10dB*)	46 Hz-18 kHz
*) using M-112 module	

Axial Sensitivity

SPL, 1 watt @ 1 m, Passive	100 dB
SPL, 1 watt @ 1 m, Biamp (LF/HF)	100/112 dB

Impedance (nominal)

Passive	8 ohms
Biamp (LF/HF)	8/8 ohms

Power Handling

Passive Long-term EIA	350 watts
Short-term peak	1400 watts
Biamp - LF Long-term EIA	300 watts
Short-term peak	1200 watts
Biamp - HF Long-term AES	75 watts
Short-term peak	300 watts

Calculated Maximum Output SPL

Long-term	125 dB
Peak	131 dB

Nominal Coverage Angle

Horizontal (-6 dB)	75°
Vertical (-6 dB)	+15/-35°

Dimensions

Height	675 mm	(26.60 in.)
Width at front	390 mm	(15.35 in.)
Width at back	175 mm	(6.86 in.)
Depth	375 mm	(16.02 in.)
Trapezoid angle	10° per side	

Weights

Net Weight	26 kg	(58 lb)
Shipping Weight	29 kg	(64 lb)

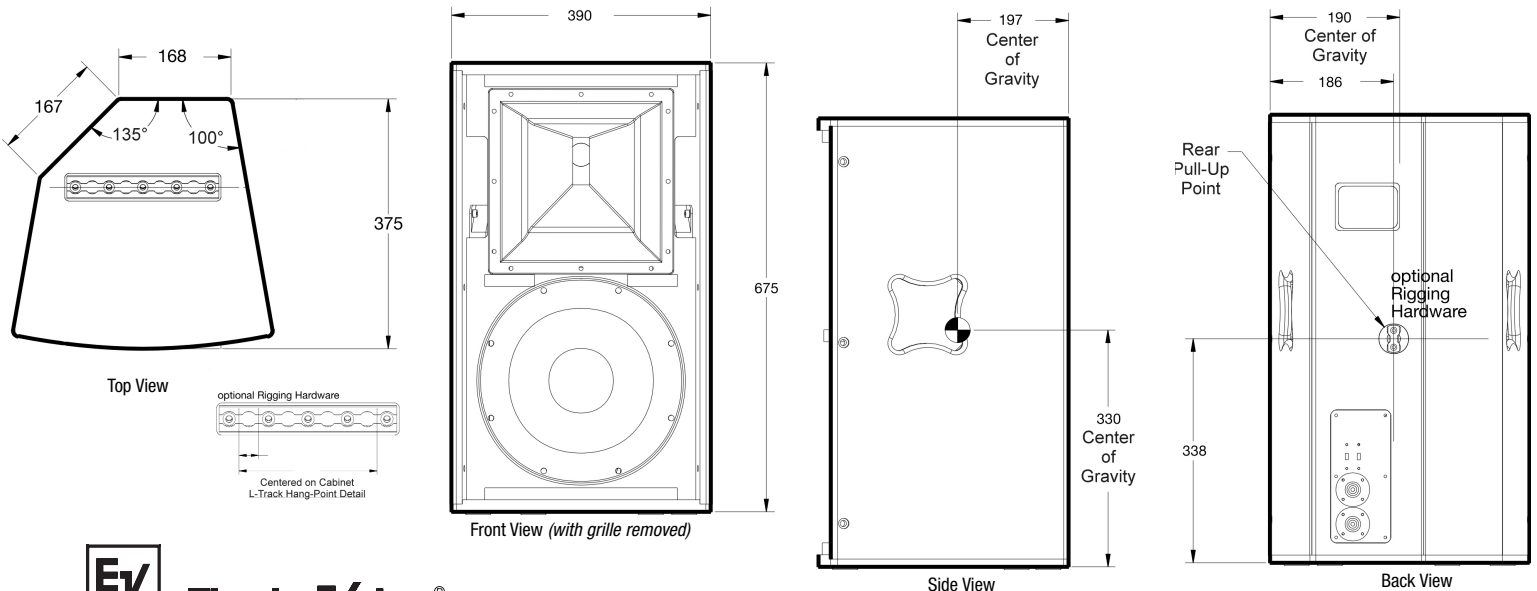
Architects' and Engineers' Specifications

Rx-112/75

The two-way, full-range loudspeaker system shall incorporate one 12-inch transducer with a cast aluminum basket as the LF component and one 3-inch diameter voice coil/diaphragm compression driver as the HF component. The compression driver shall be mounted on a 75-degree x 50-degree asymmetrical constant directivity horn with a factory delivered positioning of 15-degrees up/35-degrees down/50-degrees horizontal configuration. The horn shall be constructed of a material and design so as to be structurally capable of supporting the HF driver without any internal braces or suspension, allowing full 360-degree rotation of the horn. The enclosure shall be vented and tuned for optimum low-frequency extension. An internal passive filter network shall be included providing crossover filters or component band passes and nominal system voicing. The input panel shall incorporate two switches allowing external configuration between biamped or passive operation. Input connections shall be accommodated with two paralleled NL4 female Speakon® connectors.

Loudspeaker system frequency response shall be no less than 60 Hz to 18 kHz (-10 dB) measured on axis. The loudspeaker shall produce a sound pressure level (SPL) of 100 dB on axis at 1 meter with a power input of 1 watt and shall be capable of sustaining full power, long-term average output of 125 dB on axis at 1 meter. The full-range system with passive network engaged shall handle 350 watts of amplified power long term in compliance with AES-EIA standards and have a nominal impedance of 8 ohms.

The loudspeaker enclosure shall be constructed of 13-ply void-free cross-grain-laminated birch plywood. It shall be finished in black textured paint. It shall have five sides with the fifth side angle as such to provide stable and safe placement of the cabinet on its side for floor monitor applications. Handles shall be recessed within the sides of the enclosure and of such design to allow safe handling from any direction. There shall be a 1-3/8 diameter pole mounting socket located on the bottom of the cabinet. The top and bottom of the enclosure shall be prepared for L-track rigging option and the rear shall have a pull-up point. The two-way full-range loudspeaker system shall be the Electro-Voice® model Rx-112/75.



Electro-Voice®

- USA** Telex Communications Inc., 12000 Portland Ave. South, Burnsville, MN 55337, Phone: +1 952-884-4051, FAX: +1 952-884-0043
- Germany** Telex EVI Audio, Hirschberger Ring 45, D 94302, Straubing, Germany, Phone: 49 9421-706 0, FAX: 49 9421-706 265
- U.K.** Shuttle Sound, The Willow Centre, Willow Lane, Mitcham GB ? Surrey ?, Phone: +44 20 864 671 14, FAX: +44 20 864 075 83
- France** EVI France S. A., Parc de Courcerin, Allee Lech Walesa, Lognes, f-77185 Marne La Vallée, France, Phone: 33/1-6480-0090, FAX: 33/1-6006-5103
- Australia** Telex Communications, 3015A Ubi Rd 1, 05-10, Kampong Ubi, Industrial Estate, Silverwater N.S.W. 2128, Australia, Phone: 61/2-9648-3455, FAX: 61/2-9648-5585
- Hong Kong** EVI Audio Limited, Unit E & F, 21/F, Luk Hop Industrial Bldg., 8 Luk Hop St., San Po Kong, Kowloon, Hong Kong, Phone: 852-2351-3628, FAX: 852-2351-3329
- Japan** EVI Audio Japan, Ltd., 5-3-8 Funabashi, Setagaya-ku, Tokyo, 156-0055 Japan, Phone: 81-3-5316-5020, FAX: 81-3-5316-5031
- Singapore** Telex Communications, 3015A Ubi Rd 1, 05-10, Kampong Ubi, Industrial Estate, Singapore 408705, Phone: 65-746-8760, FAX: 65-746-1206
- Mexico** Av. Parque Chapultepec #66-201, Naucalpan Edo. Mex. 53390, Phone: (52) 5358-5434, FAX: (52) 5358-5588
- Africa Mid-East** Telex EVI Audio, Hirschberger Ring 45, D 94302, Straubing, Germany, Phone: 49 9421-706 0, FAX: 49 9421-706 265
- Latin America** Telex Communications Inc., 12000 Portland Ave. South, Burnsville, MN 55337, Phone: +1 507 526 3205, FAX: +1 507 526 3059

www.electrovoice.de • Telex Communications, Inc. • www.telex.com

©Telex Communications, Inc. 2/2001 Part Number 38109-985 Rev A (360088)

Subject to change without prior notice.