

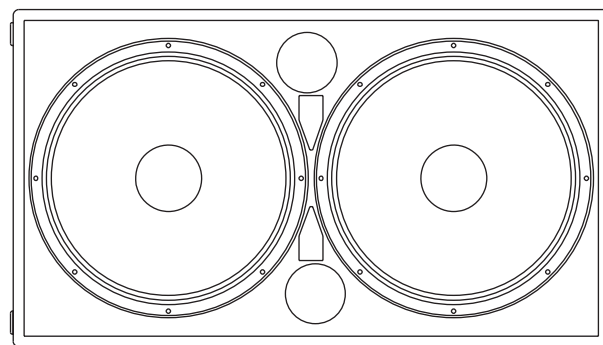
General Product Description

The Rx-218S is a dedicated subwoofer loudspeaker system that incorporates two 18 DL-type woofers for maximum LF power with minimum box volume. This vented, 800-watt system easily provides 128 dB SPL 1 W/1 m (134 dB peaks 1 W/1 m) at full power in a rectangular enclosure that is stable and readily stacks for extra energy. The Rx-118S cabinet has recessed safety handles for ease of transport and includes a M 20 thread for a pole mount for use with full-range cabinets without the need for extra mounting stands. The rear of the cabinet includes four M 12 threaded T-nuts for affixing the Rx-wheel-bar kit. The Rx-218S is prepared for the optional Rx-Rigging kit to be flown in clusters with Rx-212/75 or other EV speaker systems. The M-218S processing module for modular P-series amplifiers provides optimized processing for fullrange use, or in combination with any of Rx-series subwoofers.

Rx-218S Subwoofer Loudspeaker System



R x
S P E A K E R
S Y S T E M S



Speaker Description

LF Section & Components	2 DL-type 18-inch woofer in vented enclosure
HF Section & Components	N/A
System Configuration	Subwoofer
Powering Configuration	Active crossover, M-218S module for P1201/P1202 amp
Recommended Active High-Pass Frequency (12 dB/octave min.)	36 Hz
Recommended Active Crossover Frequency (24 dB/octave min.)	100 Hz
Cabinet Type (shape)	Rectangular
Enclosure Materials	13-ply birch plywood
Finish	Black textured paint
Connectors	Two Neutrik NL4
Suspension (optional)	prepared for Rx-rigging kit
Grille	Powder-coated perforated steel
Accessories	Wheel-bar kit M-112 Processing module for P 1201, P 1202 system amplifier Rx-Rigging kit PCL 88 - pole mount

Rx-218S

Subwoofer Loudspeaker System

Speaker Characteristics

Frequency Response

-10dB 40 Hz-2000 Hz

-10dB*) 35 Hz-135 Hz

*) using M-218 Module

Axial Sensitivity

SPL, 1 watt @ 1 m, half-space 102 dB

SPL, 1 watt @ 1 m, full-space 99 dB

Impedance

4 ohms

Power Handling

Long-term EIA 800 watts

Short-term peak 3200 watts

Calculated Maximum Output SPL

Half-space, long-term 131 dB

Half-space, peak 137 dB

Full-space, long-Term 128 dB

Full-space, peak 134 dB

Dimensions

Height 990 mm (38.98 in.)

Width 560 mm (22.05 in.)

Depth 600 mm (23.62 in.)

Weights

Net Weight 56,5 kg (100 lb)

Shipping Weight 59,5 kg (109 lb)

Architects' and Engineers' Specifications

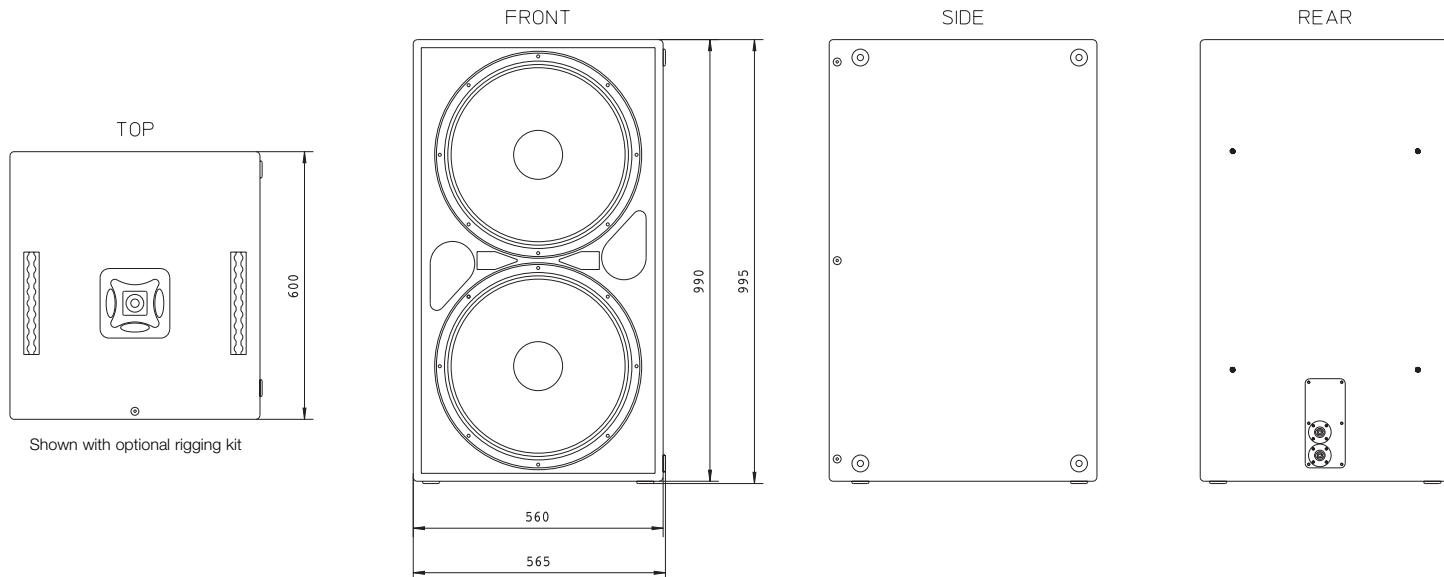
Rx 218S

The dedicated subwoofer loudspeaker system shall incorporate two 18-inch transducers with a cast aluminum basket in a vented enclosure tuned for optimum low frequency extension. The input panel shall have two paralleled NL4 connectors.

Usable system frequency response shall be 40 Hz to 2000 Hz measured on axis. The loudspeaker shall be capable of producing a sound pressure level (SPL) of 98 dB on axis (full space) at 1 meter with a power input of one watt. It shall be capable of sustaining a full power, long term average output of 128 dB on axis at 1 meter with instantaneous peaks of 134 dB. The subwoofer shall handle 800 watts of amplified power long-term in compliance with AES-EIA standards and have a nominal impedance of 4 ohms.

The loudspeaker enclosure shall be constructed of 13-ply void-free cross-grain-laminated birch plywood. It shall be finished in black textured paint. It shall be of a rectangular shape with flat sides for stacking. Handles shall be recessed within the enclosure and of such design to allow safe handling from any direction. There shall be a M-20 thread for a pole mount socket located in the top handle of the cabinet. For flying applications a rigging kit should be easily fixable to the cabinet.

The subwoofer loudspeaker system shall be the Electro-Voice® model Rx-218S.



Electro-Voice®

USA Telex Communications Inc., 12000 Portland Ave. South, Burnsville, MN 55337, Phone: +1 952-884-4051, FAX: +1 952-884-0043

Germany Telex EVI Audio, Hirschberger Ring 45, D 94302, Straubing, Germany, Phone: 49 9421-706 0, FAX: 49 9421-706 265

U.K. Shuttle Sound, The Willow Centre, Willow Lane, Mitcham GB ? Surrey ?, Phone: +44 20 864 671 14, FAX: +44 20 864 075 83

France EVI France S. A., Parc de Courcerin, Allee Lech Walesa, Lognes, F-77185 Marne La Vallée, France, Phone: 33/1-6480-0090, FAX: 33/1-6006-5103

Australia EVI Audio (Austl.), Unit 23, Block C, Slough Business Estate, Silverwater N.S.W. 2128, Australia, Phone: 61/2-9648-3455, FAX: 61/2-9648-5585

Hong Kong EVI Audio Limited, Unit E & F, 21/F, Luk Hop Industrial Bldg., 8 Luk Hop St., San Po Kong, Kowloon, Hong Kong, Phone: 852-2351-3628, FAX: 852-2351-3329

Japan EVI Audio Japan, Ltd., 5-3-8 Funabashi, Setagaya-ku, Tokyo, 156-0055 Japan, Phone: 81-3-5316-5020, FAX: 81-3-5316-5031

Singapore Telex Communications, 3015A Ubi Rd 1, 05-10, Kampong Ubi, Industrial Estate, Singapore 408705, Phone: 65-746-8760, FAX: 65-746-1206

Mexico Av. Parque Chapultepec #66-201, Naucalpan Edo. Mex. 53390, Phone: (52) 5358-5434, FAX: (52) 5358-5588

Africa Mid-East Telex EVI Audio, Hirschberger Ring 45, D 94302, Straubing, Germany, Phone: 49 9421-706 0, FAX: 49 9421-706 265

Latin America Telex Communications Inc., 12000 Portland Ave. South, Burnsville, MN 55337, Phone: +1 507 526 3205, FAX: +1 507 526 3059

www.electrovoice.de • Telex Communications, Inc. • www.telex.com

©Telex Communications, Inc. 2/2001 Part Number 38109-985 Rev A (360088)

Subject to change without prior notice.